



Economical Balances For Routine Weighing Applications

Offering accuracy and repeatability in essential weighing applications in laboratory, industrial and education settings, PR Analytical and Precision Balances deliver competitive performance at an economical price. Featuring RS-232 connectivity for easy communication, and a backlit display and a simple interface for uncomplicated operation, the PR is perfectly designed for your workplace.

Standard Features:

- **Basic Functionality for Routine Weighing Applications**

The PR is equipped with three essential weighing modes, RS-232 connectivity for data transfer and storage, making it ideal for routine weighing applications.

- **Designed for Uncomplicated Operation with Easy-to-Use Display and Interface**

Equipped with an easy-to-read, bright backlit display and a simple user interface, the PR is incredibly easy to operate, with almost no training required.

- **Smart Design and Durable Construction**

The PR's small footprint saves desktop space while providing a large weighing surface. The PR is durably constructed, and features a stainless steel pan to withstand day-to-day use in the workplace.

PR SERIES *Analytical and Precision Balances*



| Model (InCal™) | PR124 | PR224 | PR223/E | PR523/E | PR1602/E | PR2202/E | PR4202/E | PR1602/E | PR2202/E | |
|--|---|---------|---------|-------------------|------------------------------------|---|-------------------|----------|----------|--|
| Model (ExCal) | PR124/E | PR124/E | PR224/E | PR223/E | PR523/E | PR1602/E | PR2202/E | PR4202/E | PR1602/E | |
| Capacity (g) | 62 | 120 | 220 | 220 | 520 | 1600 | 2200 | 4200 | 4200 | |
| Readability (g) | 0.0001 | | | 0.001 | | | 0.1 | | | |
| Repeatability stdev (g) | 0.0001 | | | 0.001 | | | 0.1 | | | |
| Linearity (g) | ±0.0002 | | | ±0.002 | | | ±0.2 | | | |
| Stabilization Time (s) | 4 | | | 2 | | | 1 | | | |
| Typical Minimum Weight USP (USP, K=2, U=0.10%) | 200 mg | | | 2 g | | | 20 g | | | |
| Optimized Minimum Weight (USP, U=0.10%, K=2) SRP≤0.41d** | 82 mg | | | 0.82 g | | | 82g | | | |
| Units | g, mg, ct, dwt, grain, oz, ozt | | | | g, kg, ct, dwt, grain, oz, ozt, lb | | | | | |
| Applications | Basic Weighing, Parts Counting, Percent Weighing | | | | | | | | | |
| Pan Size Ø | 3.54 in. / 90 mm | | | 4.72 in. / 120 mm | | | 7.09 in. / 180 mm | | | |
| Draftshield Size | 6.8 × 5.1 × 8.1 in. / 172 × 131 × 205 mm | | | | | | N/A | | | |
| Power supply | Power input: 100–240V ~ 200mA 50–60Hz 12–18VA Power output: 12 VDC 0.5A | | | | | | | | | |
| Overall Dimensions (W × D × H) | 7.9 × 12.5 × 11.9 in. / 201 × 317 × 303 mm | | | | | 7.9 × 12.5 × 3.7 in. / 201 × 317 × 93 mm | | | | |
| Operating Conditions | 50° F to 86° F / 10° C to 30° C | | | | | | | | | |
| Storage Conditions | 14° F to 140° F / -10° C to 60° C at 10% to 90% relative humidity, non-condensing | | | | | | | | | |
| Net Weight | 10 lb / 4.5 kg | | | | | 7.7 lb / 3.5 kg | | | | |
| Shipping Weight | 15.4 lb / 7 kg | | | | | 11 lb / 5 kg | | | | |
| Shipping Dimensions (W × D × H) | 20 × 15 × 21 in. / 507 × 387 × 531 mm | | | | | 21.5 × 15 × 11.5 in. / 550 × 385 × 291 mm | | | | |

PR SERIES *Type Approved Balances*



Economical Balances For Legal-For-Trade Applications

The PR Series is NTEP certified and Measurement Canada approved, making it suitable for legal-for-trade applications in the United States and Canada. The PR is equipped with basic weighing, parts counting and percent weighing applications, and is capable of displaying weight in grams, milligrams, carats, ounces, and more. The PR can also be connected to point-of-sale systems or printers via its standard RS-232 port, or via USB or Ethernet through an interface kit. Featuring an easy-to-read, brightly-lit display and a simple user interface, the PR is well-constructed for long-term use, and delivers competitive performance at an economical price.

| Model (InCal™) | PR523N | | | | | | | | | |
|--|---|----------|----------|----------|---|-----------|-----------|-----------|-----------|-----------|
| Model (ExCal) | PR323N/E | PR523N/E | PR322N/E | PR522N/E | PR2202N/E | PR2202N/E | PR5202N/E | PR2201N/E | PR5201N/E | PR2201N/E |
| Capacity (g) | 320 | 520 | 320 | 520 | 820 | 2200 | 5200 | 2200 | 5201 | 6200 |
| Readability d (g) (LFT off) | 0.001 | | 0.01 | | | | 0.1 | | | |
| Readability d (g) (LFT on) | 0.00[1] | | 0.01 | | 0.1 | 0.0[1] | | 0.1 | | 1 |
| Verification Scale Interval e (g) (LFT on) | 0.01 | | | | 0.1 | | | | 1 | |
| Class | II | | | | III | II | | | | III |
| Repeatability stdev (g) | 0.001 | | | | 0.01 | | | | 0.1 | |
| Linearity (g) | ±0.002 | | | | ±0.02 | | | | ±0.2 | |
| Stabilization Time (s) | 2 | | | | 1 | | | | | |
| Typical Minimum Weight USP (USP, K=2, U=0.10%) | 2g | 2g | 20g | 20g | 20g | 20g | 20g | 200g | 200g | 200g |
| Optimized Minimum Weight (USP, U=0.10%, K=2) SRP≤0.41d** | 0.82g | 0.82g | 8.2g | 8.2g | 8.2g | 8.2g | 8.2g | 82g | 82g | 82g |
| Units | g, mg, ct, dwt, grain, oz, ozt | | | | g, kg, ct, dwt, grain, oz, ozt, lb | | | | | |
| Applications | Basic Weighing, Parts Counting, Percent Weighing | | | | | | | | | |
| Pan Size Ø | 4.72 in. / 120 mm | | | | 7.09 in. / 180 mm | | | | | |
| Draftshield Size | 6.8 × 5.1 × 8.1 in. / 172 × 131 × 205 mm | | | | N/A | | | | | |
| Power Supply | Power input: 100–240V ~ 200mA 50–60Hz 12–18VA Power output: 12 VDC 0.5A | | | | | | | | | |
| Overall Dimensions (W × D × H) | 7.9 × 12.5 × 11.9 in. / 201 × 317 × 303 mm | | | | 7.9 × 12.5 × 3.7 in. / 201 × 317 × 93 mm | | | | | |
| Operating Conditions | 50° F to 86° F / 10° C to 30° C | | | | | | | | | |
| Storage Conditions | 14° F to 140° F / -10° C to 60° C at 10% to 90% relative humidity, non-condensing | | | | | | | | | |
| Net Weight | 10 lb / 4.5 kg | | | | 7.7 lb / 3.5 kg | | | | | |
| Shipping Weight | 15.4 lb / 7 kg | | | | 11 lb / 5 kg | | | | | |
| Shipping Dimensions (W × D × H) | 20 × 15 × 21 in. / 507 × 387 × 531 mm | | | | 21.5 × 15 × 11.5 in. / 550 × 385 × 291 mm | | | | | |

PR SERIES *Analytical and Precision Balances*

Other Standard Features and Equipment

ABS top housing, removable stainless steel pan, glass draftshield with sliding top door, integrated weigh-below-hook, security bracket, calibration lock, user-selectable environmental filters and brightness settings, auto-tare, auto-dim, user-selectable span calibration points, software lockout and reset menu, user-selectable communication settings and data print options, user-definable project and user IDs, software overload/underload indicator, stability indicator

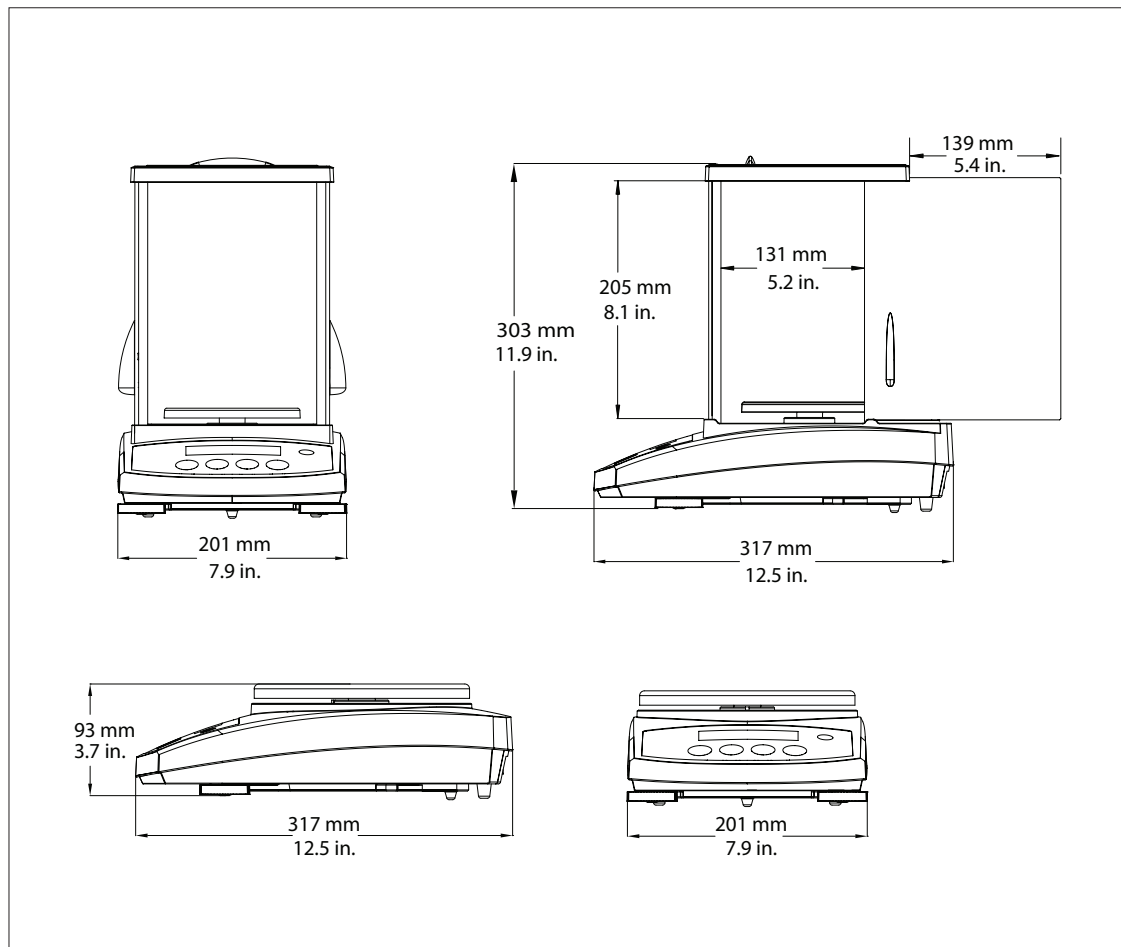
Compliance

- **Metrology:** NIST Handbook 44; Canada Weights and Measures Regulations (PR...N models only)
- **Product Safety:** IEC/EN 61010-1; CAN/CSA C22.2 61010-1; UL 61010-1
- **Electromagnetic Compatibility:** IEC/EN 61326-1 Class B, Basic Environments; FCC Part 15 Class A; Canada ICES-003 Class A
- **Compliance Marks:** CSA

Accessories

| | | | |
|----------------------------|----------|--|----------|
| Auxiliary Display | 30472064 | In-use Cover | 30372547 |
| Density Kit | 80253384 | Printer SF40A | 30064203 |
| RS-232 Cable (9-pin) | 80500525 | Interface Kit, RS-232 (USB) | 30304101 |
| Dust Cover | 30093334 | Interface Kit, RS-232 (Ethernet) | 30304102 |

Dimensions



OHAUS CORPORATION

7 Campus Drive
Suite 310
Parsippany, NJ 07054 USA

Tel: 800.672.7722
973.377.9000
Fax: 973.944.7177

www.ohaus.com

*With offices throughout
Europe, Asia, and
Latin America*

The management system
governing the manufacture
of this product is ISO 9001:
2015 certified.

